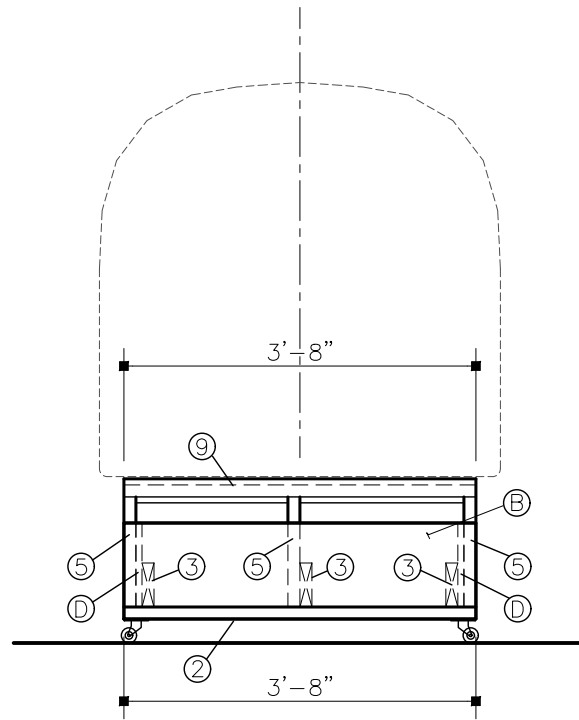
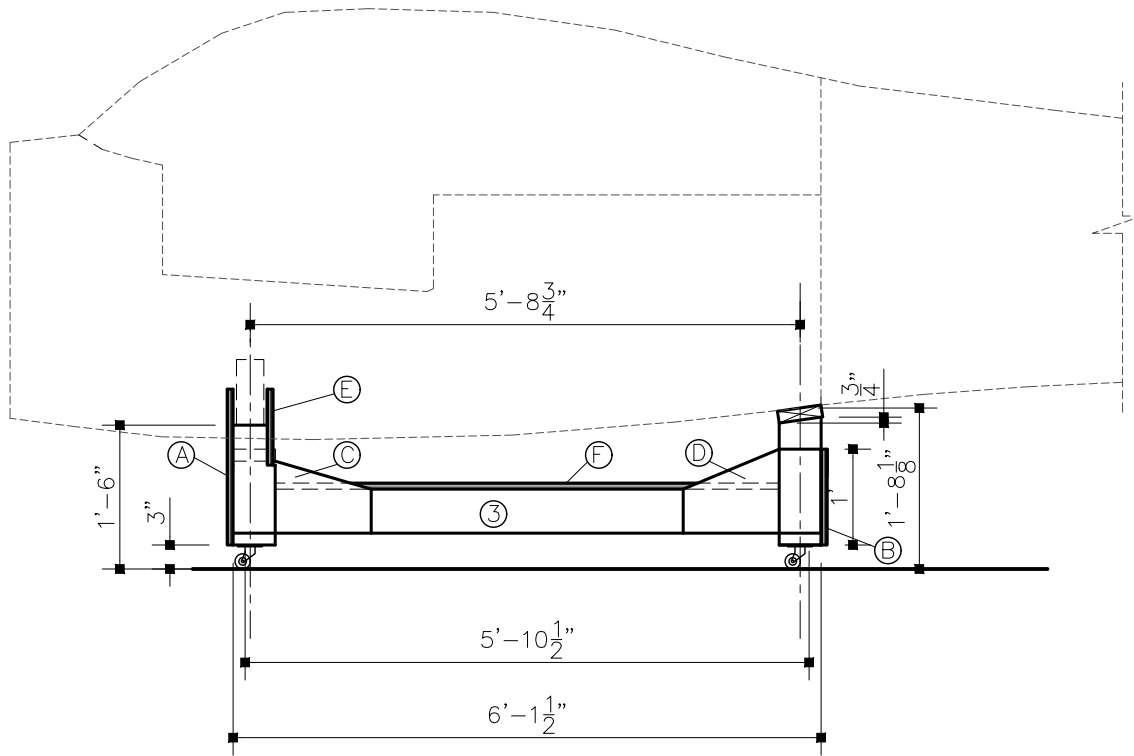


**FRONT VIEW**



**REAR VIEW**



**SIDE VIEW**

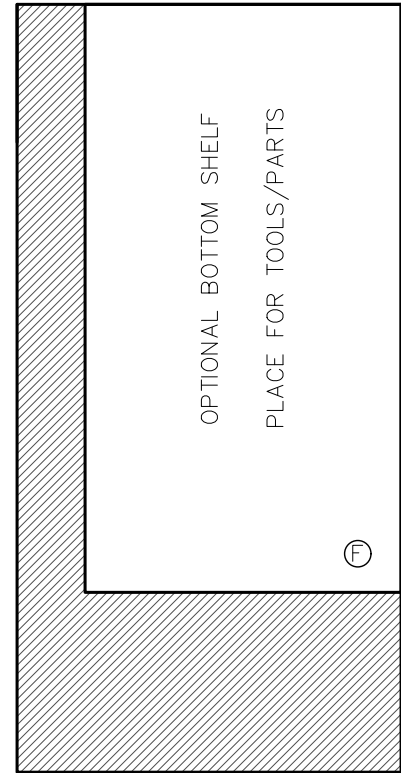
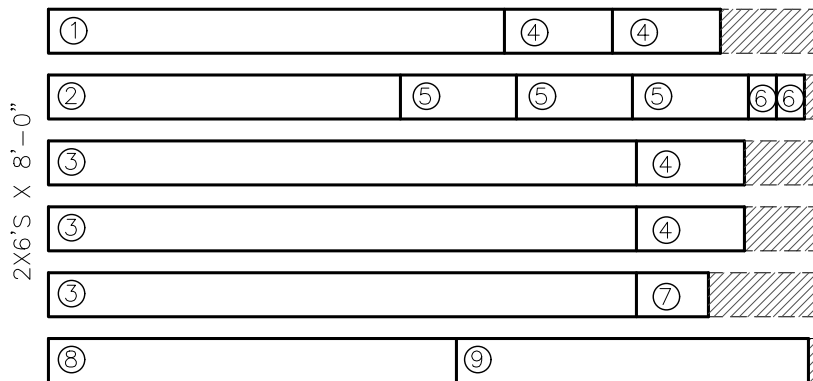
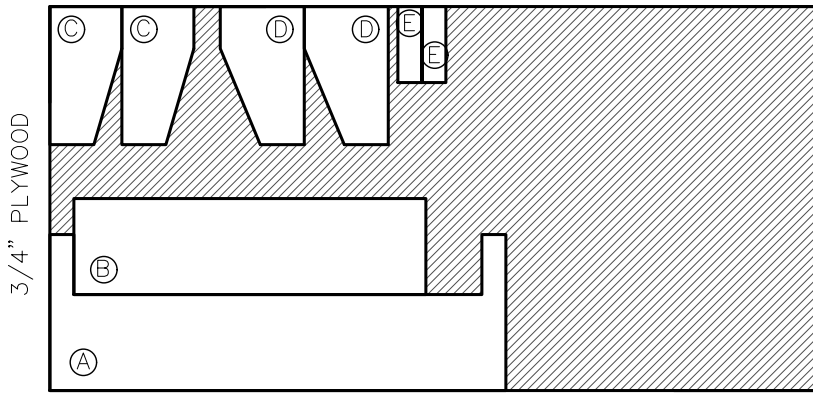


Original concept by Kyle Hultgren and can be found at [www.ourv10.com](http://www.ourv10.com)

# RV-10 FUSELAGE CRADLE

May 3, 2020

**ONE**  
SHT 1 OF 8



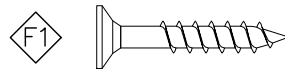

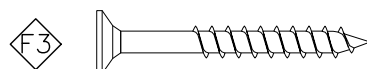
**BENCH CUT SHEET**

MARK	QTY.	MATERIAL	LENGHT/SIZE
①	1	2X6	4'-9"
②	1	2X6	3'-8"
③	3	2X6	6'-1 1/2"
④	4	2X6	1'-1 1/2"
⑤	3	2X6	1'-2 1/2"
⑥	2	2X6	0'-3 1/2"
⑦	1	2X6	0'-9"
⑧	1	2X6	4'-3"
⑨	1	2X6	3'-8"
Ⓐ	1	3/4" PLY	
Ⓑ	1	3/4" PLY	
Ⓒ	1	3/4" PLY	
Ⓓ	1	3/4" PLY	
Ⓔ	1	3/4" PLY	
Ⓕ	1	3/4" PLY	3'-3 1/2 X 6'-1 1/2

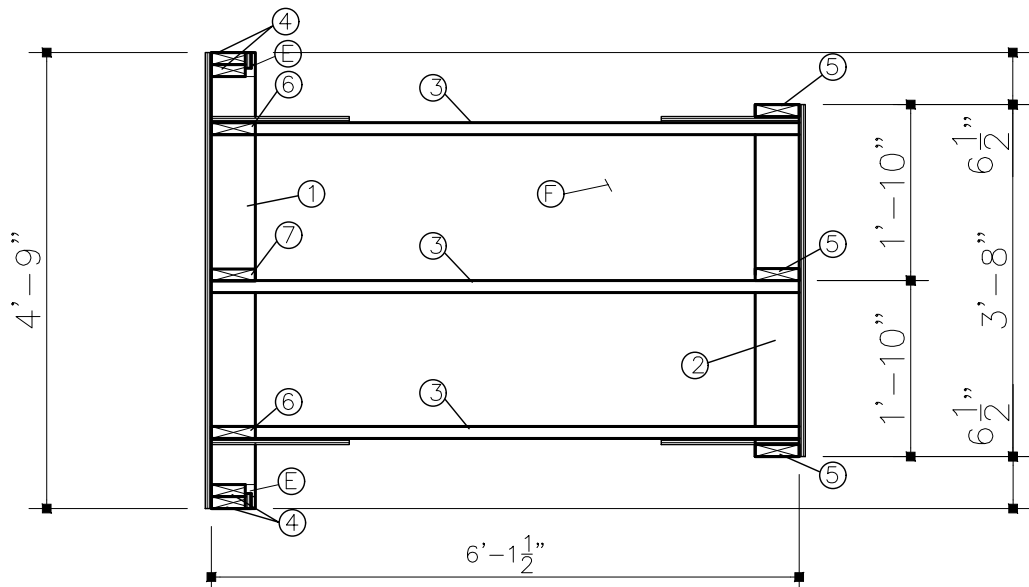
**MATERIAL LIST**

MARK	QTY.	MATERIAL	LENGHT/SIZE
①-⑧	6	2X6	8'-0"
Ⓐ Ⓕ	2	3/4" PLY	4X8 SHEETS
	4	CASTERS	3 INCH
		NAILS	
		SCREWS	
		WOOD GLUE	

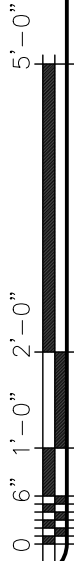
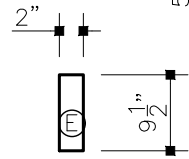
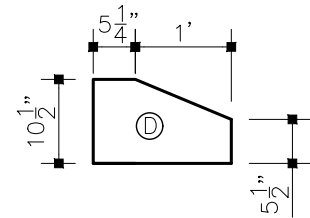
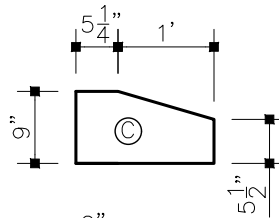
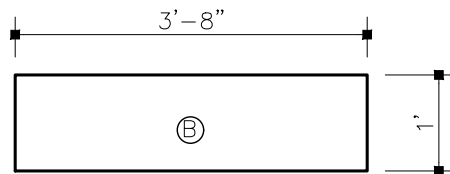
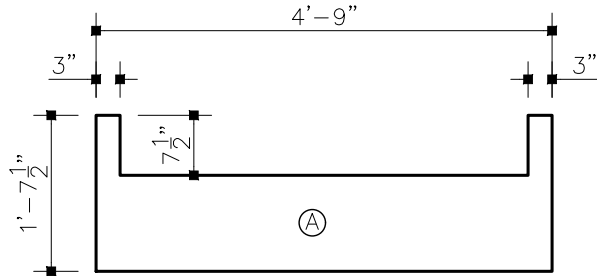
**FASTENERS**

- 
#10 X 1-3/4"
- 
#10 X 3"
- 
#10 X 3-1/2"



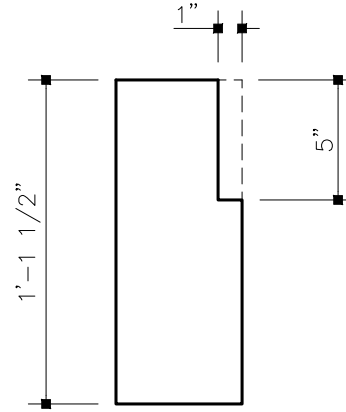


**TOP VIEW**



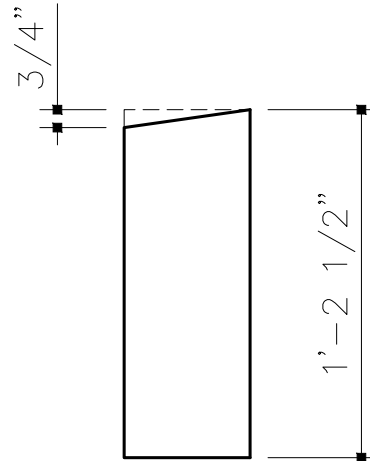
STEP 1

CUT THE 1" WIDE BY 5" DEEP NOTCH INTO THE SIDES OF THE FOUR (4) 2X6'S LABELED (4)



STEP 2

CUT THE TOP OF THE THREE (3) ITEM (5) WITH THE 3/4" SLOPE SHOWN AT RIGHT.



STEP 3

GLUE AND SCREW THE (1) AND (4) TO THE PLYWOOD PLATE (A) PLACE THE (4) ELEMENTS SO THE NOTCHED SIDE IS AWAY FROM THE PLYWOOD PLATE (A)

GLUE AND SCREW THE TWO (E) PLYWOOD ELEMENTS TO THE NOTCHED FACE OF THE (4) THE TOPS OF THE (E) PLYWOOD ELEMENTS SHOULD BE FLUSH WITH THE TOPS OF THE PLYWOOD ELEMENT (A)

THE (E) ELEMENTS FLUSH WITH THE FAR LEFT AND RIGHT ENDS OF THE VERTICAL SUPPORT CREATING A NOTCH ON THE INNER SIDES OF EACH SUPPORT.

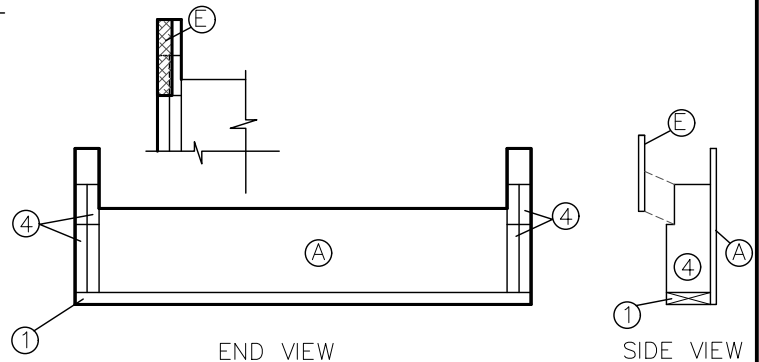
ATTACH (4) TO (4) WITH 8 (F2) SCREWS

ATTACH (1) TO (4) WITH 8 (F2) SCREWS, 2 EACH

ATTACH (A) TO (4)'S WITH (F1) SCREWS 4" O.C.

ATTACH (A) TO (1) WITH (F1) SCREWS 6" O.C.

ATTACH (E) TO (4)'S WITH 4 (F1) SCREWS



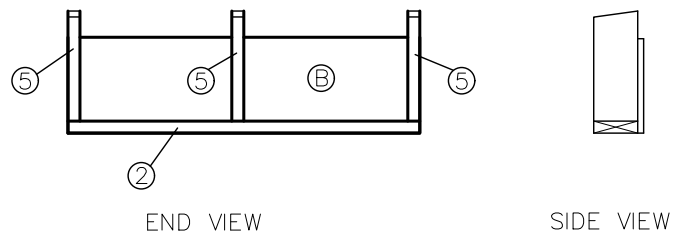
STEP 4

GLUE AND SCREW THE (2) AND (5) TO THE PLYWOOD PLATE (B) PLACE THE (5) ELEMENTS SO THE LONG END SIDE IS ADJACENT TO THE PLYWOOD PLATE (B)

ATTACH (2) TO (5) WITH 6 (F2) SCREWS, 2 EACH

ATTACH (B) TO (5)'S WITH (F1) SCREWS 4" O.C.

ATTACH (B) TO (2) WITH (F1) SCREWS 6" O.C.



STEP 5

GLUE AND SCREW THE PLYWOOD GUSSET PLATES (C) & (D) ONTO TWO (2) OF THE 2X6 CROSS MEMBERS (3)

NOTE THAT ONE (3) WILL HAVE THEM ATTACHED TO THE LEFT SIDE THE OTHER (3) WILL HAVE THE GUSSET PLATES ATTACHED TO THE RIGHT SIDE.

ATTACH (C) AND (D) TO 3 'S WITH 8 (F1) SCREWS

STEP 6

GLUE AND SCREW THE 2X6 AND PLYWOOD ASSEMBLY CREATED IN STEP 5 ABOVE ONTO THE REAR SUPPORT CREATED IN STEP 4. THE PLYWOOD GUSSET PLATE (D) SHOULD ATTACH TO THE OUTER TWO (5) ELEMENTS. THE PLYWOOD SHOULD ATTACH DIRECTLY TO THE (5) AND BE ON THE OUTSIDE FACE OF THE CRADLE.

ATTACH (D) TO (5) 'S WITH 4 (F1) SCREWS

ATTACH (3) TO (5) 'S WITH 4 (F3) SCEWS

SCREW THE REAR PLYWOOD PLATE (B) INTO THE END OF THE BOTTOM BRACE (3)

ATTACH (B) TO (3) 'S WITH (2) (F1) SCREWS

STEP 7

GLUE AND SCREW THE OPPOSING END OF THE (3) AND (C) ASSEMBLY ONTO THE FRONT SUPPORT FRAME CREATED IN STEP 2

INSTALL THE THIRD AND CENTER ELEMENT (3) ALIGN ONE FACE OF THE ITEM (3) WITH THE CENTER LINE OF THE REAR SUPPORT ASSEMBLY.

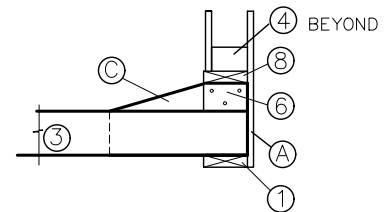
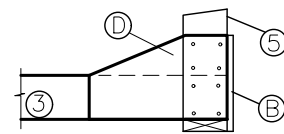
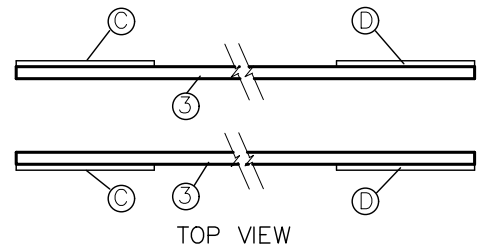
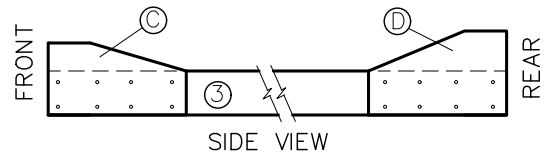
GLUE AND SCREW TO THE BOTTOM SUPPORTS AND TO THE FRONT AND REAR PLYWOOD PLATES.

INSTALL THE SHORT 2X6 BLOCK ON TOP OF THE (3) GLUE AND SCREW TO THE PLYWOOD GUSSET (C) GLUE AND SCREW THE PLYWOOD PLATE (A) INTO THE END OF BOTH THE 2X6 STRINGER (3) AND SMALL BLOCK (6)

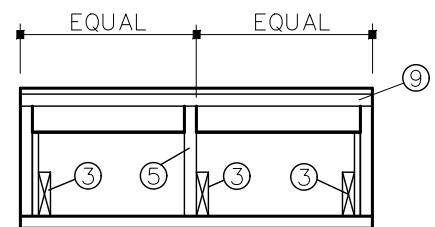
GLUE AND SCREW THE ITEM (8) CAP BLOCK ONTO THE TOP OF THE (6) BLOCKS. GLUE AND SCREW THE FRONT PLYWOOD PLATE A TO THE ITEM (8) BLOCK. GLUE AND SCREW THE (8) INTO THE SIDES OF THE (4) SUPPORTS.

STEP 8

INSTALL THE REMAINING CENTER (5) GLUE AND SCREW TO THE PLATE (B) AND ADJACENT (3) GLUE AND SCREW THE CAP PLATE (9) ON THE THREE (5) SUPPORTS. INSURE THE (9) SLOPES DOWN TOWARD THE FRONT OF THE CRADLE.



- ATTACH (A) TO (3) 'S WITH (2) (F1) SCREWS
- ATTACH (C) TO (6) 'S WITH (4) (F1) SCREWS
- ATTACH (C) TO (7) WITH (4) (F1) SCREWS
- ATTACH (3) TO (7) WITH (4) (F3) SCREWS
- ATTACH (A) TO (3) 'S WITH (2) (F1) SCREWS



ATTACH (9) TO (5) 'S WITH 8 (F2) SCREWS, 2 EACH

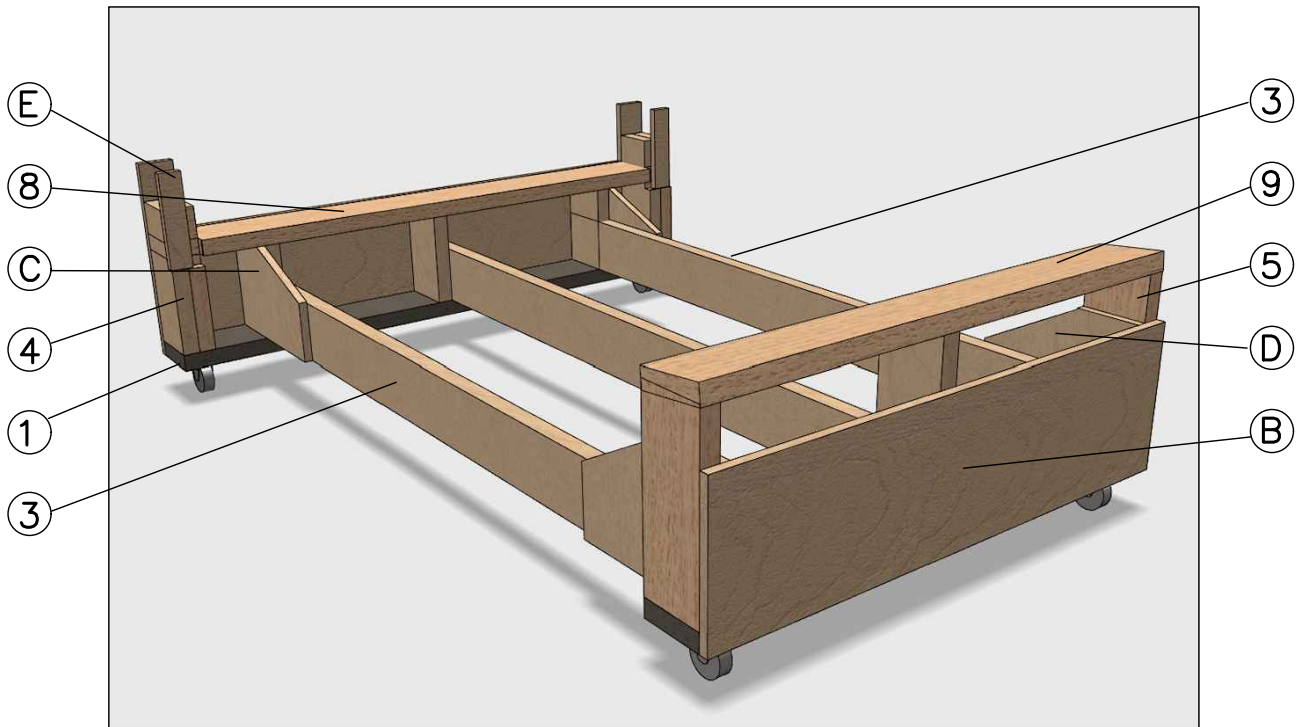


FIGURE 1 – VIEW FROM LEFT REAR

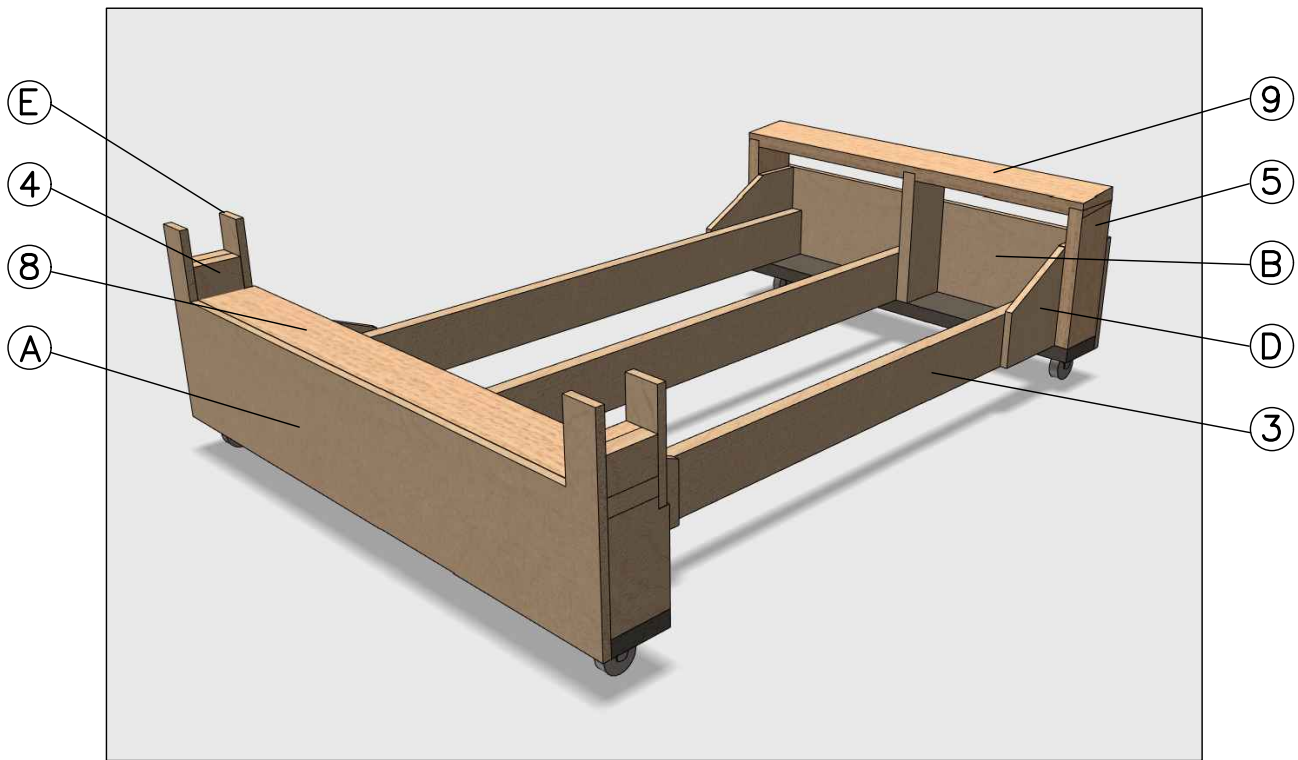


FIGURE 2 – VIEW FROM LEFT FRONT

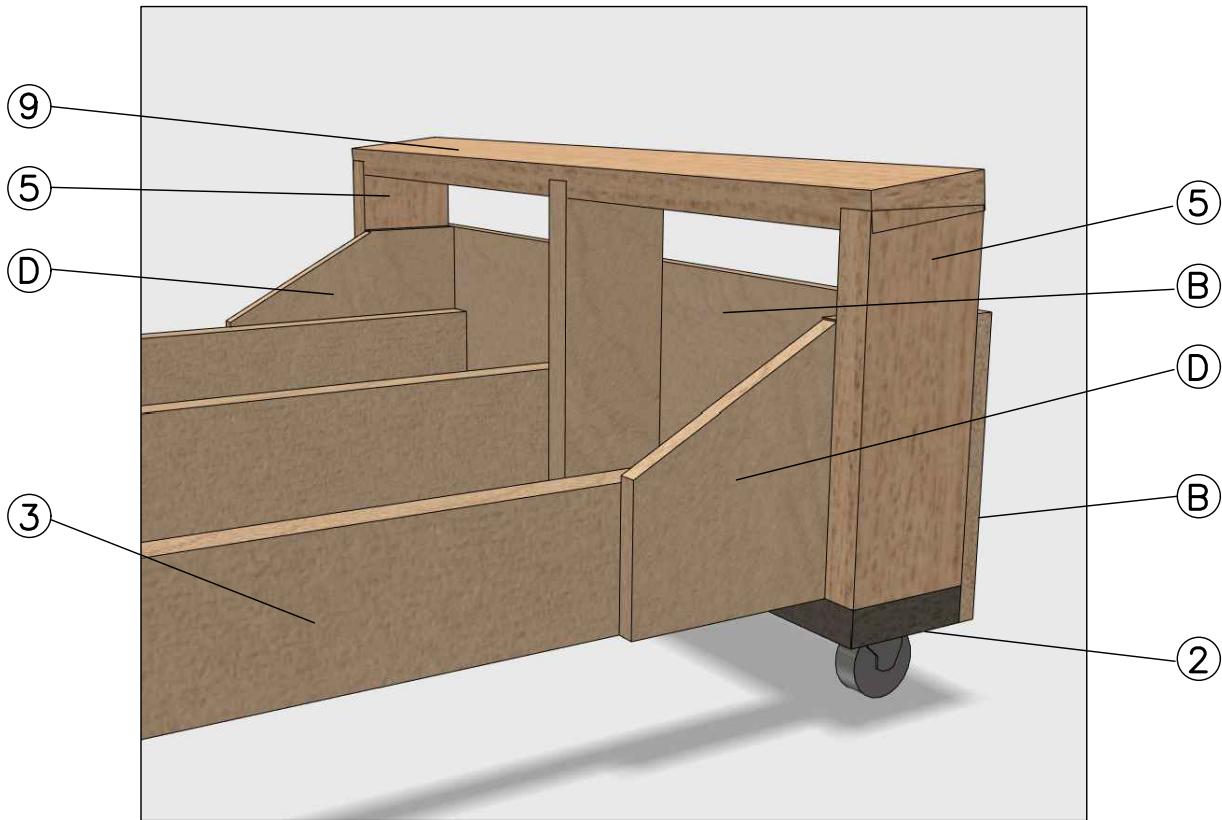


FIGURE 3 – REAR ASSEMBLY LEFT REAR CORNER

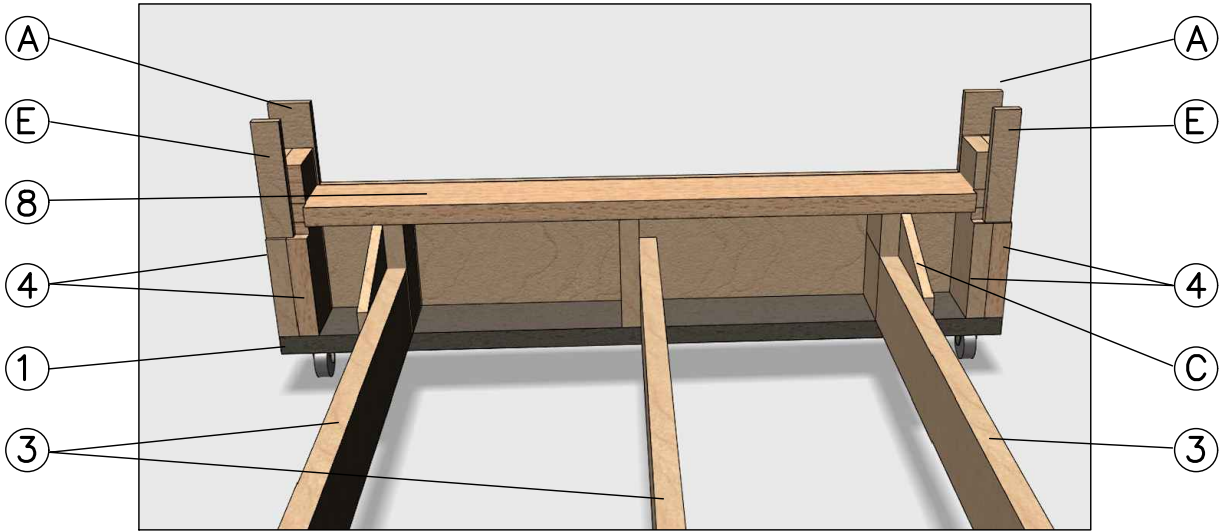


FIGURE 4 – VIEW OF FRONT ASSEMBLY

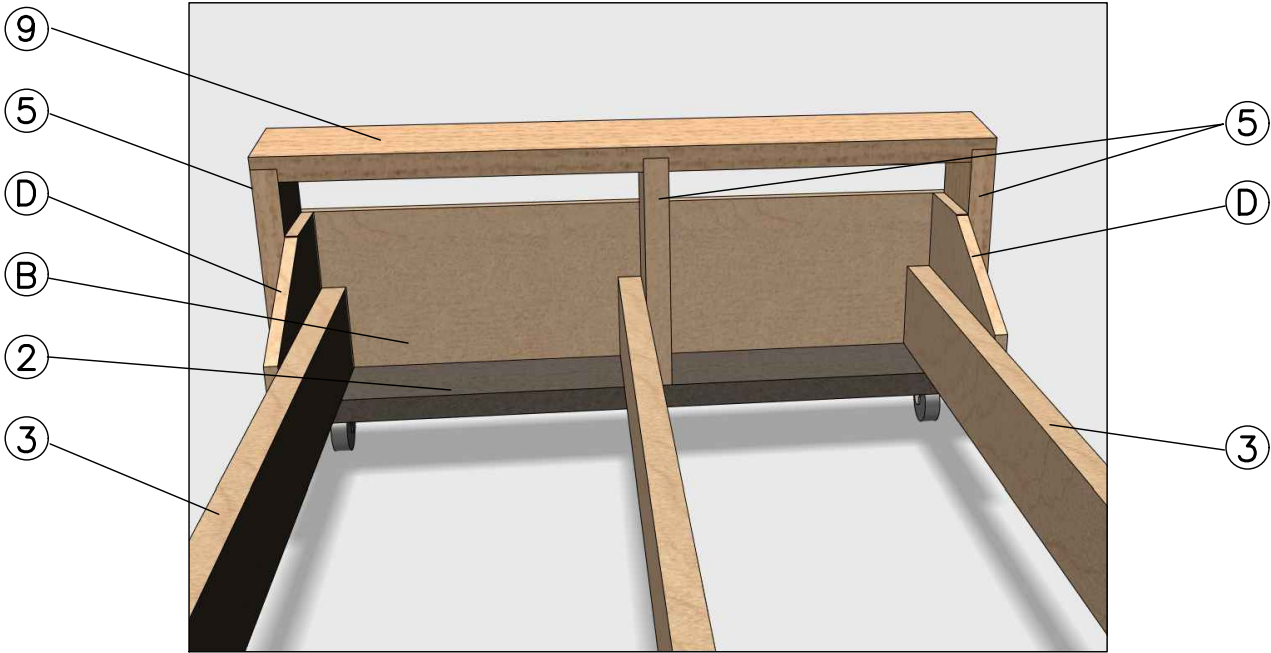


FIGURE 5 – VIEW OF REAR ASSEMBLY

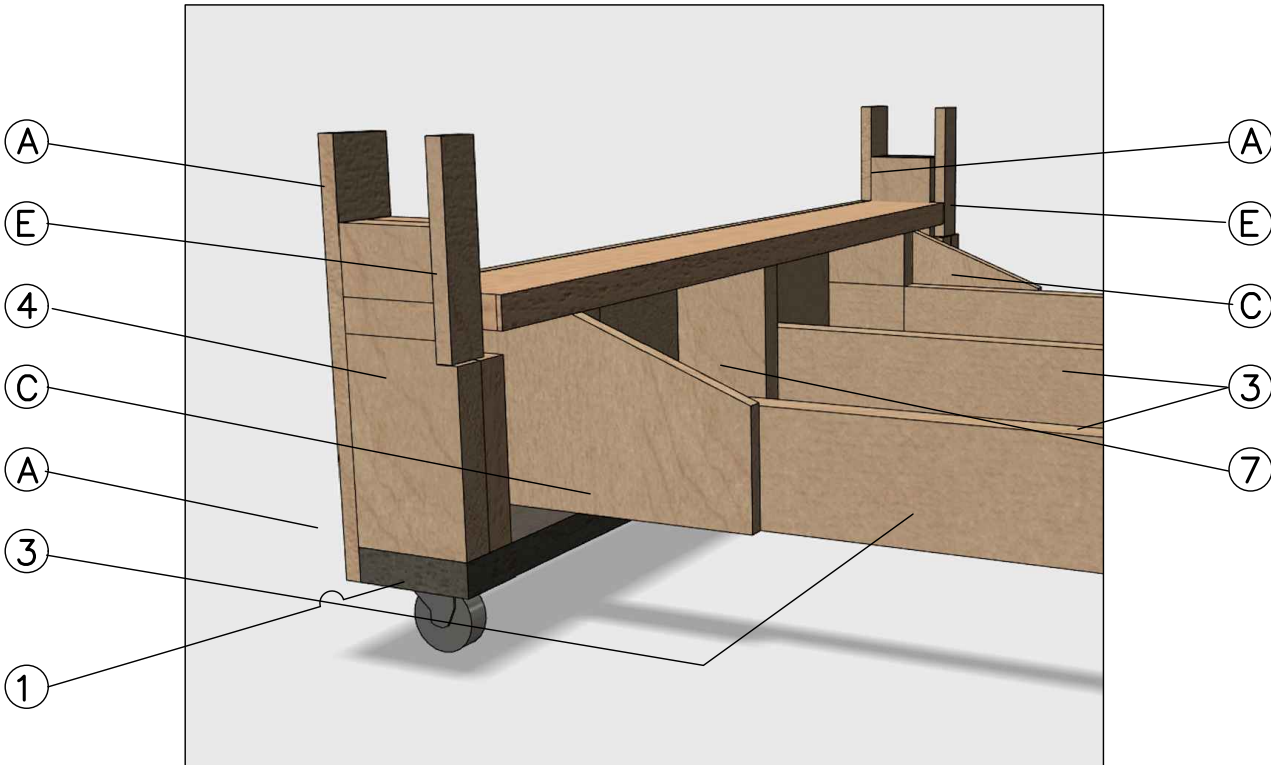


FIGURE 6 – FRONT ASSEMBLY LEFT FRONT CORNER